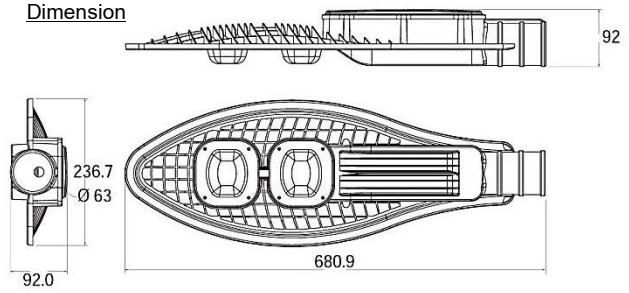


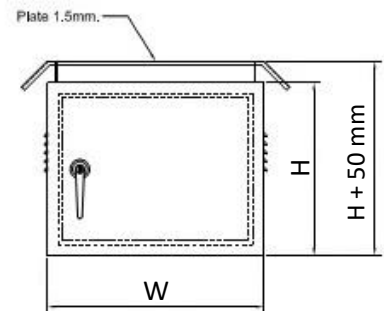
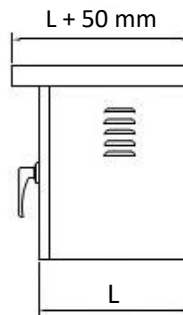
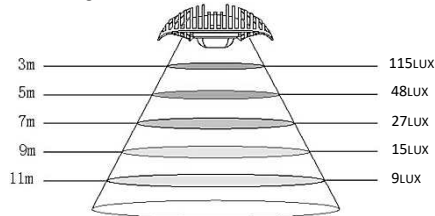
Model Name: Kalinnda Solar Street Light Set 90W - R



Dimension

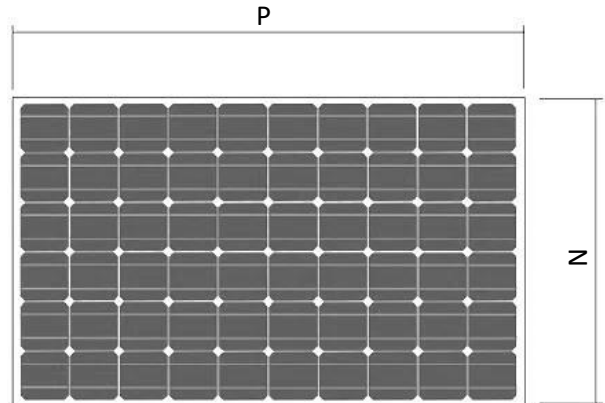


Illumination Diagram



Specification

| | |
|-----------------------|--------------------------------------|
| Model | KD-SSS-R-090-XX |
| Power Consumption | 90W |
| Lamp Efficacy | 100-110lm/W |
| Lamp Initial Flux | 9000-9900lm |
| Input Voltage | DC12/24V |
| Temperature Color | 3000K (WW) / 5000K (CW) / 6500K (DL) |
| Beam Angle | Horizontal: 90° |
| Material | Aluminum Housing & Glass Lens |
| Number of LED | 1pcs of 50W & 1pcs of 40W |
| Number of Driver | 1pcs of Adjustable Driver |
| IP Rating | IP65 |
| Working Lifetime | 35000 Hrs |
| Support Hole Size | Diameter 60mm (2.0in) |
| Size of Component Box | W550 x L320 x H750 mm |
| Size of Solar Panel | P1960 x N992 mm |
| Warranty | 3 Years |



| Other Component | |
|-----------------------|---------------------------------------|
| Power of Solar Panel | DC36V / 360W |
| Solar Control Charger | DC 12/24V / 20A / MPPT |
| Battery | DC12V / 150AH x 2pcs / Deep Cycle |
| Battery Lifetime | Estimate 4 Years |
| Battery Re-Check Time | Every 6 Months |
| Charging Time | At least 3 Hrs (Start 09.00 AM) |
| Working Time | Estimate 12 Hrs (06.00 PM – 06.00 AM) |

Warning

- ◆ Do not disassemble the Lights by yourself, or it will cause the damage of the Light and its accessories
- ◆ Be carefully, do not touch the light without power off
- ◆ To make sure the lifespan and lighting effect, please do not pull wires and keep the light from the crash and damage.

Notice

- ◆ For safety secure, please only install, repair and examine by professional person. Otherwise it may cause dangerous.
- ◆ The lamps must be operated with the matchable power supply
- ◆ Please don't install the lights under the high temperature and damp environment, or it will cause damage.
- ◆ Make sure no any covers like insulation blanket or similar materials in the surface of the Light