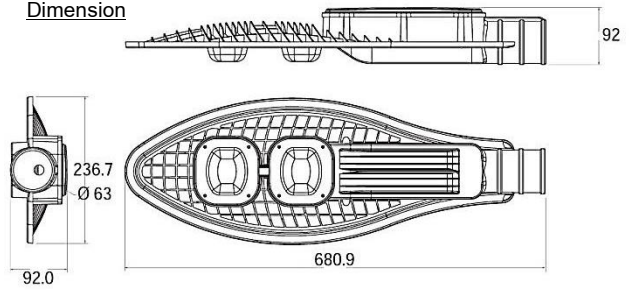


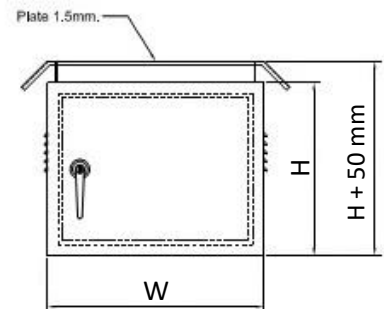
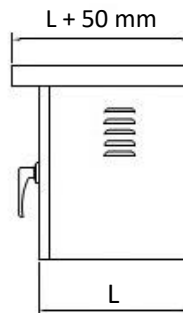
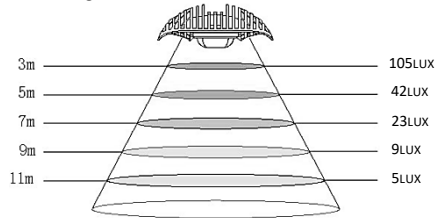
Model Name: Kalinnda Solar Street Light Set 80W - R



Dimension

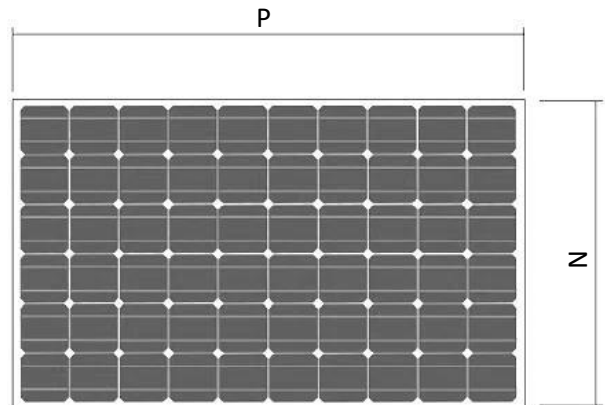


Illumination Diagram



Specification

Model	KD-SSS-R-080-XX
Power Consumption	80W
Lamp Efficacy	100-110lm/W
Lamp Initial Flux	8000-8800lm
Input Voltage	DC12/24V
Temperature Color	3000K (WW) / 5000K (CW) / 6500K (DL)
Beam Angle	Horizontal: 90°
Material	Aluminum Housing & Glass Lens
Number of LED	2pcs of 40W
Number of Driver	1pcs of Adjustable Driver
IP Rating	IP65
Working Lifetime	35000 Hrs
Support Hole Size	Diameter 60mm (2.0in)
Size of Component Box	W550 x L320 x H750 mm
Size of Solar Panel	P1960 x N992 mm
Warranty	3 Years



Other Component	
Power of Solar Panel	DC36V / 320W
Solar Control Charger	DC 12/24V / 20A / MPPT
Battery	DC12V / 120AH x 2pcs / Deep Cycle
Battery Lifetime	Estimate 4 Years
Battery Re-Check Time	Every 6 Months
Charging Time	At least 3 Hrs (Start 09.00 AM)
Working Time	Estimate 12 Hrs (06.00 PM – 06.00 AM)

Warning

- ◆ Do not disassemble the Lights by yourself, or it will cause the damage of the Light and its accessories
- ◆ Be carefully, do not touch the light without power off
- ◆ To make sure the lifespan and lighting effect, please do not pull wires and keep the light from the crash and damage.

Notice

- ◆ For safety secure, please only install, repair and examine by professional person. Otherwise it may cause dangerous.
- ◆ The lamps must be operated with the matchable power supply
- ◆ Please don't install the lights under the high temperature and damp environment, or it will cause damage.
- ◆ Make sure no any covers like insulation blanket or similar materials in the surface of the Light