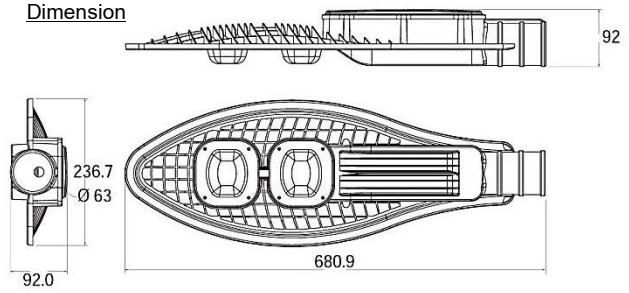


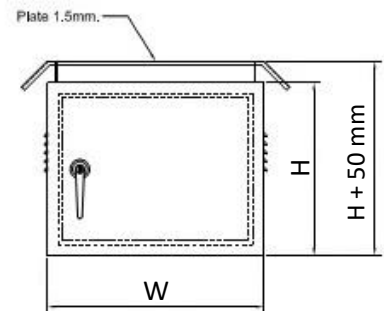
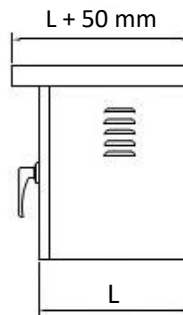
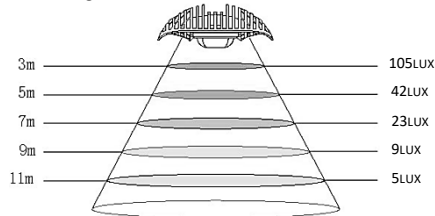
## Model Name: Kalinnda Solar Street Light Set 80W - M



Dimension

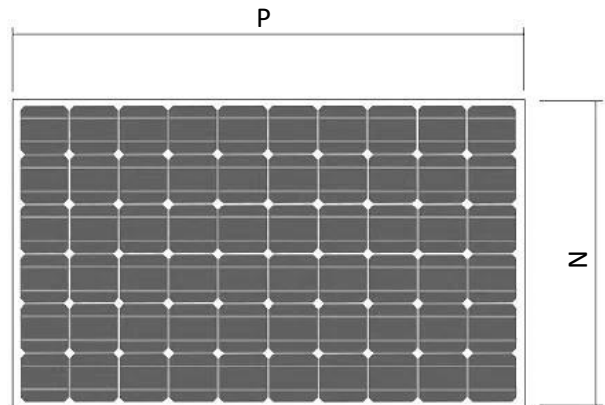


Illumination Diagram



### Specification

|                       |                                      |
|-----------------------|--------------------------------------|
| Model                 | KD-SSS-M-080-XX                      |
| Power Consumption     | 80W                                  |
| Lamp Efficacy         | 100-110lm/W                          |
| Lamp Initial Flux     | 8000-8800lm                          |
| Input Voltage         | DC12/24V                             |
| Temperature Color     | 3000K (WW) / 5000K (CW) / 6500K (DL) |
| Beam Angle            | Horizontal: 90°                      |
| Material              | Aluminum Housing & Glass Lens        |
| Number of LED         | 2pcs of 40W                          |
| Number of Driver      | 1pcs of Adjustable Driver            |
| IP Rating             | IP65                                 |
| Working Lifetime      | 35000 Hrs                            |
| Support Hole Size     | Diameter 60mm (2.0in)                |
| Size of Component Box | W400 x L350 x H450 mm                |
| Size of Solar Panel   | P1640 x N992 mm                      |
| Warranty              | 2 Years                              |



| Other Component       |                                       |
|-----------------------|---------------------------------------|
| Power of Solar Panel  | DC36V / 200W                          |
| Solar Control Charger | DC 12/24V / 10A / PWM                 |
| Battery               | DC12V / 80AH x 2pcs / Deep Cycle      |
| Battery Lifetime      | Estimate 3 Years                      |
| Battery Re-Check Time | Every 6 Months                        |
| Charging Time         | At least 5 Hrs (Start 09.00 AM)       |
| Working Time          | Estimate 12 Hrs (06.00 PM – 06.00 AM) |

### Warning

- ◆ Do not disassemble the Lights by yourself, or it will cause the damage of the Light and its accessories
- ◆ Be carefully, do not touch the light without power off
- ◆ To make sure the lifespan and lighting effect, please do not pull wires and keep the light from the crash and damage.

### Notice

- ◆ For safety secure, please only install, repair and examine by professional person. Otherwise it may cause dangerous.
- ◆ The lamps must be operated with the matchable power supply
- ◆ Please don't install the lights under the high temperature and damp environment, or it will cause damage.
- ◆ Make sure no any covers like insulation blanket or similar materials in the surface of the Light