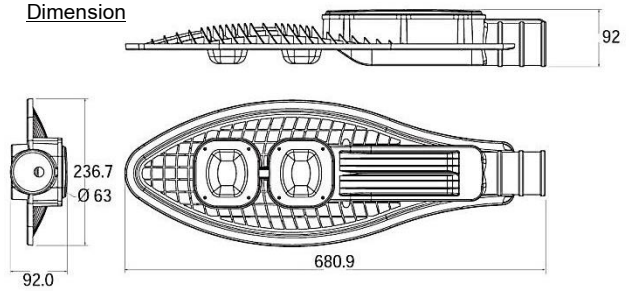


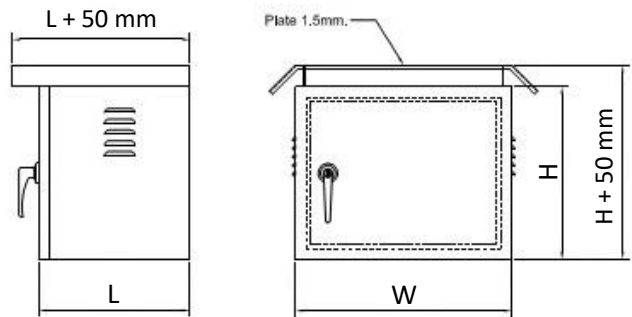
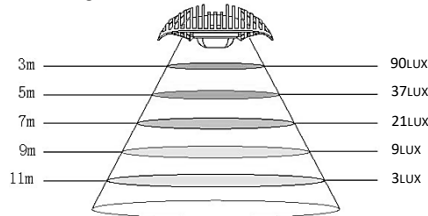
Model Name: Kalinnda Solar Street Light Set 70W - M



Dimension

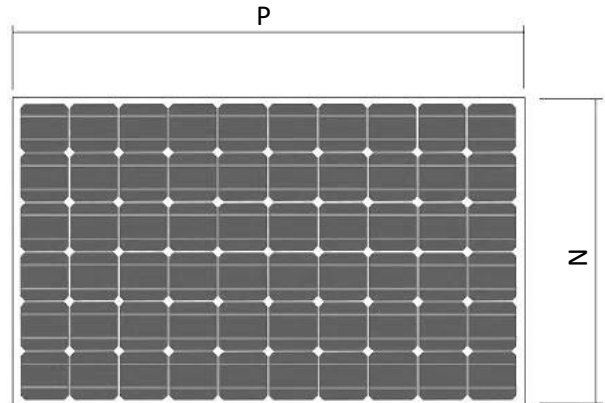


Illumination Diagram



Specification

Model	KD-SSS-M-070-XX
Power Consumption	70W
Lamp Efficacy	100-110lm/W
Lamp Initial Flux	7000-7700lm
Input Voltage	DC12/24V
Temperature Color	3000K (WW) / 5000K (CW) / 6500K (DL)
Beam Angle	Horizontal: 90°
Material	Aluminum Housing & Glass Lens
Number of LED	1pcs of 40W & 1pcs of 30W
Number of Driver	1pcs of Adjustable Driver
IP Rating	IP65
Working Lifetime	35000 Hrs
Support Hole Size	Diameter 60mm (2.0in)
Size of Component Box	W550 x L280 x H450 mm
Size of Solar Panel	P1640 x N992 mm
Warranty	2 Years



Other Component	
Power of Solar Panel	DC36V / 180W
Solar Control Charger	DC 12/24V / 20A / PWM
Battery	DC12V / 150AH / Deep Cycle
Battery Lifetime	Estimate 3 Years
Battery Re-Check Time	Every 6 Months
Charging Time	At least 5 Hrs (Start 09.00 AM)
Working Time	Estimate 12 Hrs (06.00 PM – 06.00 AM)

Warning

- ◆ Do not disassemble the Lights by yourself, or it will cause the damage of the Light and its accessories
- ◆ Be carefully, do not touch the light without power off
- ◆ To make sure the lifespan and lighting effect, please do not pull wires and keep the light from the crash and damage.

Notice

- ◆ For safety secure, please only install, repair and examine by professional person. Otherwise it may cause dangerous.
- ◆ The lamps must be operated with the matchable power supply
- ◆ Please don't install the lights under the high temperature and damp environment, or it will cause damage.
- ◆ Make sure no any covers like insulation blanket or similar materials in the surface of the Light