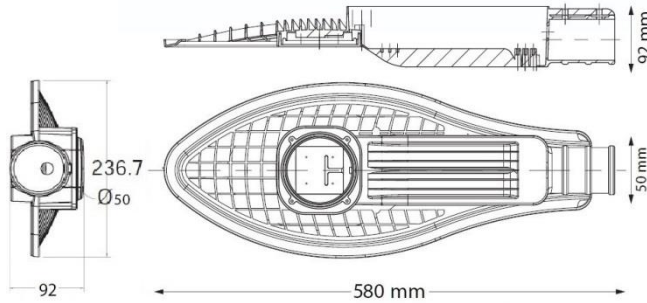


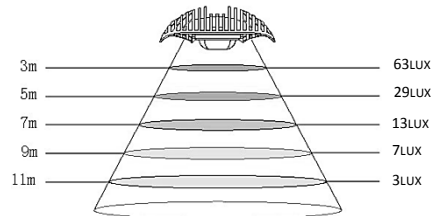
Model Name: santronLED Street Light (C) 50W



Dimension



Illumination Diagram



Wiring



Standard



Specification

| | |
|---------------------|-------------------------------|
| Model | ST-STR-C-050-XX |
| Power Consumption | 50w |
| Lamp Initial Flux | 5000-5500lm |
| Input Voltage | AC90-260V / 50-60Hz |
| Power Factor | >0.95 |
| Beam Angle | Horizontal: 90° |
| Working Temperature | -40°C~50°C |
| Working Lifetime | >35000 hours |
| IP Rating | IP65 |
| Material | Aluminum Housing & Glass Lens |
| Number of LED | 1pcs of 50w |
| Number of Driver | 1pcs of 50w |
| Support Hole Size | Diameter 48mm (1.5in) |
| Product Dimension | 580 x 237 x 92mm |
| Total Weight | 2.8kg |
| Warranty | 2 Years |

| Driver | |
|-----------------------|---|
| Driver Brand | Santron / Mean Well / Inventronics / MOSO |
| Driver Power | 50W |
| Driver Input Voltage | AC90-260V / 50-60Hz |
| Driver Output Voltage | DC20-36V |
| Driver Output Current | 1500mA ±5% |
| Power Factor | >0.95 |
| Lightning Protection | 4000V |
| LED Module | |
| LED Module Brand | Genesis / Epiled / Epistar / Bridgelux |
| LED Module Power | 50W |
| LED Module Efficacy | 100-110lm/w |
| LED Input Voltage | DC30-33V |
| LED Input Current | 1750mA |
| Temperature Color | 3000K (WW) / 5000K (CW) / 6300K (DL) |
| Color Rendering Index | >85 |

Warning

- ◆ Do not disassemble the Lights by yourself, or it will cause the damage of the Light and its accessories
- ◆ Be carefully, do not touch the light without power off
- ◆ To make sure the lifespan and lighting effect, please do not pull wires and keep the light from the crash and damage.

Notice

- ◆ For safety secure, please only install, repair and examine by professional person. Otherwise it may cause dangerous.
- ◆ The lamps must be operated with the matchable power supply
- ◆ Please don't install the lights under the high temperature and damp environment, or it will cause damage.
- ◆ Make sure no any covers like insulation blanket or similar materials in the surface of the Light