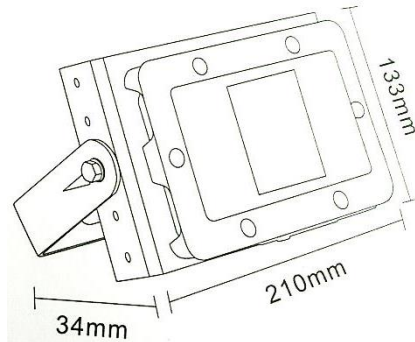


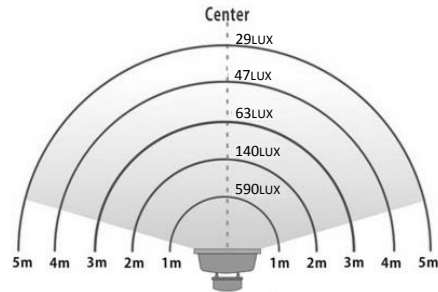
Model Name: santronLED Flood Light (C) 50 W



Dimension



Illumination Diagram



Wiring



Standard



Specification

Model	ST-FLD-C-050-XX
Power Consumption	50w
Lamp Initial Flux	5000-5500lm
Input Voltage	AC90-260V / 50-60Hz
Power Factor	>0.95
Beam Angle	Horizontal: 90°
Working Temperature	-40°C~50°C
Working Lifetime	>35000 hours
IP Rating	IP65
Material	Aluminum Housing & PC Lens
Number of LED	1pcs of 50w
Number of Driver	1pcs of 50w
Support Type	Arm Bar
Product Dimension	210 x 133 x 34mm
Total Weight	2.1kg
Warranty	N/A

Driver	
Driver Brand	M1 / Mean Well / Inventronics / MOSO
Driver Power	50W
Driver Input Voltage	AC90-260V / 50-60Hz
Driver Output Voltage	DC20-36V
Driver Output Current	1500mA ±5%
Power Factor	>0.95
Lightning Protection	4000V
LED Module	
LED Module Brand	M1 / Epiled / Epistar / Bridgelux
LED Module Power	50W
LED Module Efficacy	100-110lm/w
LED Input Voltage	DC30-33V
LED Input Current	1750mA
Temperature Color	3000K (WW) / 5000K (CW) / 6300K (DL)
Color Rendering Index	>85

Warning

- ◆ Do not disassemble the Lights by yourself, or it will cause the damage of the Light and its accessories
- ◆ Be carefully, do not touch the light without power off
- ◆ To make sure the lifespan and lighting effect, please do not pull wires and Keep the light from the crash and damage.

Notice

- ◆ For safety secure, please only install, repair and examine by professionals person. Otherwise it may cause dangerous.
- ◆ The lamps must be operated with the matchable power supply
- ◆ Please don't install the lights under the high temperature and damp environment, or it will cause damage.
- ◆ Make sure no any covers like insulation blanket or similar materials in the surface of the Light