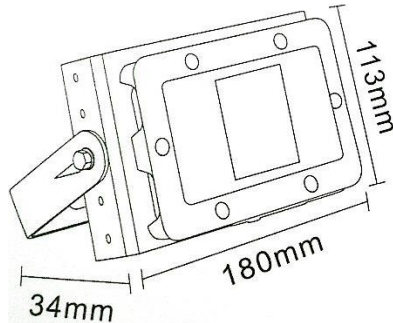


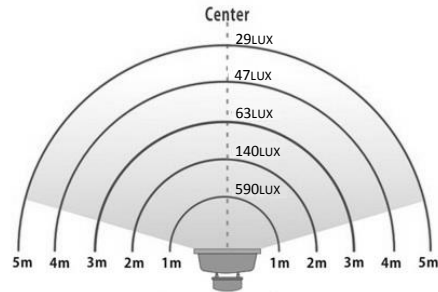
Model Name: santronLED Flood Light (C) 30 W



### Dimension



### Illumination Diagram



### Wiring



### Standard



### Specification

|                     |                            |
|---------------------|----------------------------|
| Model               | ST-FLD-C-030-XX            |
| Power Consumption   | 30w                        |
| Lamp Initial Flux   | 3000-3300lm                |
| Input Voltage       | AC90-260V / 50-60Hz        |
| Power Factor        | >0.95                      |
| Beam Angle          | Horizontal: 90°            |
| Working Temperature | -40°C~50°C                 |
| Working Lifetime    | >35000 hours               |
| IP Rating           | IP65                       |
| Material            | Aluminum Housing & PC Lens |
| Number of LED       | 1pcs of 30w                |
| Number of Driver    | 1pcs of 30w                |
| Support Type        | Arm Bar                    |
| Product Dimension   | 180 x 113 x 34mm           |
| Total Weight        | 2.1kg                      |
| Warranty            | N/A                        |

| Driver                |                                      |
|-----------------------|--------------------------------------|
| Driver Brand          | M1 / Mean Well / Inventronics / MOSO |
| Driver Power          | 30W                                  |
| Driver Input Voltage  | AC90-260V / 50-60Hz                  |
| Driver Output Voltage | DC20-36V                             |
| Driver Output Current | 900mA ±5%                            |
| Power Factor          | >0.95                                |
| Lightning Protection  | 4000V                                |
| LED Module            |                                      |
| LED Module Brand      | M1 / Epiled / Epistar / Bridgelux    |
| LED Module Power      | 30W                                  |
| LED Module Efficacy   | 100-110lm/w                          |
| LED Input Voltage     | DC30-33V                             |
| LED Input Current     | 1050mA                               |
| Temperature Color     | 3000K (WW) / 5000K (CW) / 6300K (DL) |
| Color Rendering Index | >85                                  |

### Warning

- ◆ Do not disassemble the Lights by yourself, or it will cause the damage of the Light and its accessories
- ◆ Be carefully, do not touch the light without power off
- ◆ To make sure the lifespan and lighting effect, please do not pull wires and Keep the light from the crash and damage.

### Notice

- ◆ For safety secure, please only install, repair and examine by professional person. Otherwise it may cause dangerous.
- ◆ The lamps must be operated with the matchable power supply
- ◆ Please don't install the lights under the high temperature and damp environment, or it will cause damage.
- ◆ Make sure no any covers like insulation blanket or similar materials in the surface of the Light